



DPI-72x14445SN



DPI-72x14445SN



DPI-14445SN



Micro  
Controller  
Based

**Features**

- High Accuracy Across the Entire Range
- User Programmable Display -19999 to 19999 (adjustable)
- ZERO and SPAN Adjustment through Software
- 19999 Count (Max) High Resolution Display
- Decimal Point : Selectable
- RS485 Port, 5KV Isolated with Modbus RTU Protocol (Optional)

**Specifications**

- **Display Type** 1" / 25.4mm Red LED Super Bright Display
- **Maximum Display** 4½ Digit / 19999 (Max.) Counts
- **Display Stability** Within ±2 Digit
- **Resolution** 0.0001 to 1 Count Depending on Range / Scale Display
- **Over Load Indication** "-OL-"
- **Under Load Indication** "-UL-"
- **Sampling Rate** 3 Samples / Second
- **Maximum Overload** Voltage : 1.2 Times Continuous  
Current : 1.2 Times Continuous
- **Auxiliary Supply** 85 - 265V AC / DC (Standard)  
19 - 90V AC / DC (Optional)
- **Polarity Indication** Yes
- **VA Burden (Typical)** Auxiliary : ≤ 1.5VA  
Voltage Input : ≤ 1.0VA  
Current Input : ≤ 1.0VA
- **Environmental Conditions** 0°C to + 55°C, < 70% RH (Operation)  
-10°C to + 70°C, < 70% RH (Storage)  
27°C ±5°C (Calibration)
- **Dielectric Strength** 2.5KV @ 50Hz for 1 Minute between Input - Auxiliary & Case -Terminals
- **Impulse Withstand** 3.5KV, 1.2 / 50 Micro Second
- **Case / Housing Material** Polycarbonate, Black
- **Faceplate / Lens** Polycarbonate Transparent Red
- **Mounting Clamps** Sturdy, Moulded Derlin with Suitable Hardware
- **Connectors / Terminal** Nylon 66, 33% GF, Black / Brass

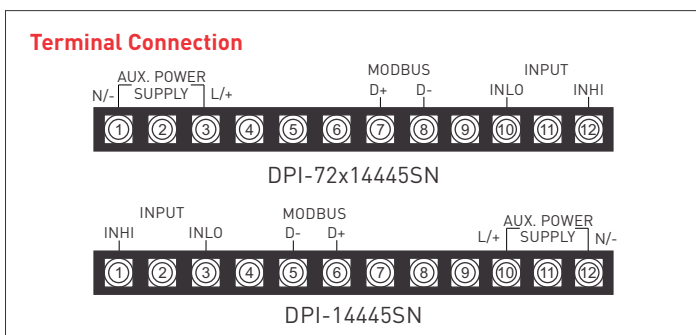
Model	Input	Range (Any One Only)	Programmable Display Key (inside facia)	Aux Supply (Any One Only)	Accuracy
DPI-72x14445SN / DPI-14445SN	DC	4 - 20	✓	85-265V AC/DC @ 50/60Hz OR 19-90V AC/DC @ 50/60Hz	±0.5% of FSD
		-20 / 0 / 20	✓		
		0 - 20	✓		
	V	-10 / 0 / 10	✓		
		0 - 10	✓		

**Ordering Information :** Model, Input Range, Scale Display, Annunciator, Auxiliary Supply & RS 485 Modbus Communication (Optional).

**Annunciators**

**Standard :** As per IS 13875

°C	rpm	Hz	pH	kmph	db	mmhg	N/m <sup>2</sup>	MPM	sph	x100	Ft/s	°F	rad
%	mm	kg	MW	kvar	cosφ	psi	bar	CPS	Rev/s	m <sup>3</sup> /min	Ltr/hr	TON	Lux



**Dimensions (mm)**

Model	DPI-72x14445SN	DPI-14445SN
Front	72 x 144	144 x 144
Depth (Behind Bezel)	93	72
Panel Cut-Out	68 <sup>(+0.8, -0.0)</sup> x 138 <sup>(+0.8, -0.0)</sup>	138 <sup>(+0.8, -0.0)</sup> x 138 <sup>(+0.8, -0.0)</sup>