



SM35MS

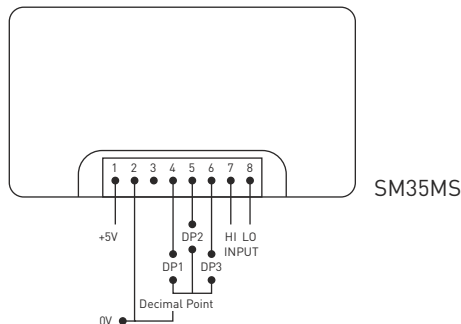
Specifications

- **Measuring Method** 3½ Digit - Dual Slope A/D Conversion
- **Sampling Rate** 2.5 Samples per Second
- **Display Type** 14.2 mm / 0.56" Digit Height Red LED
- **Maximum Display** 1999 Counts
- **Resolution** 0.001 to 1 Counts depending on the Range
- **Polarity Indication** " - " is Indicated for Negative Input
- **Decimal Selection** Field Selectable
- **Over Range Indication** " 1 " or " -1 "
- **Maximum Overload** Voltage : 1.2 times continuous
Current : 2 times continuous
- **VA Burden (Typical)** Auxiliary : <1VA
Voltage : < 0.1VA, Current : < 0.25VA
- **Environment** Calibration : 27°C ± 5°C,
Operating : 0 to 50°C, RH < 70%/0
Storage : -10 to 60°C, RH < 70%
- **Mounting** Flush Mounting
- **Connectors** Header Pins on the PCB
- **Faceplate** Red Antiglare Lens - LED
- **Display Stability** Within ± 2 Digits

Display / Digits (max.)		3½ Digits, 1999 Counts LED
Ranges	Input	SM35MS
DC	V	0 - 2, 20, 200 V
Auxiliary Power Supply		Standard : 5V DC + 10% Note : IN-LO Signal & Supply Ground may be Connected Commonly
Accuracy (Specified at 27 ± 5°C)	V DC	+ 0.5% of Full Scale
	A DC	
Dimensions (mm)	Front	79 x 42
	Depth (Behind Bezel)	24
	Panel Cut-Out	76.5 (+0.5, -0.0) x 39.5 (+0.5, -0.0)
	Drawing	

Ordering Information : Model, Input Range & Scale Display

Terminal Connection



- Short Pin No.2 to Display Corresponding Decimal Point